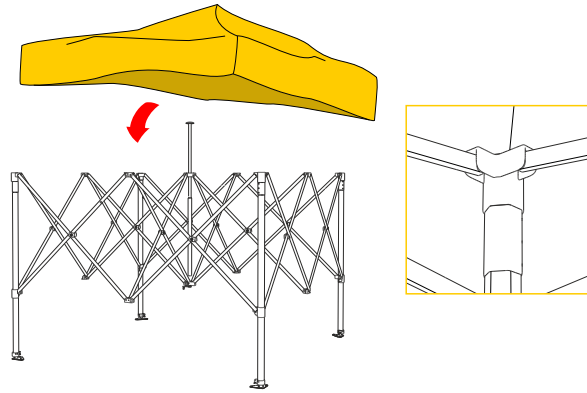


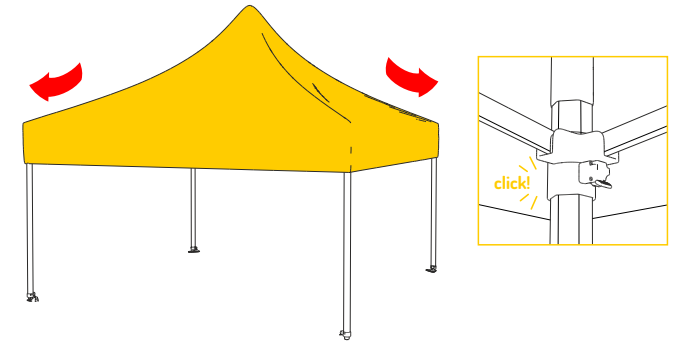
1

Place the system on the ground and expand it to 3/4 of full width by pulling the corners outward.



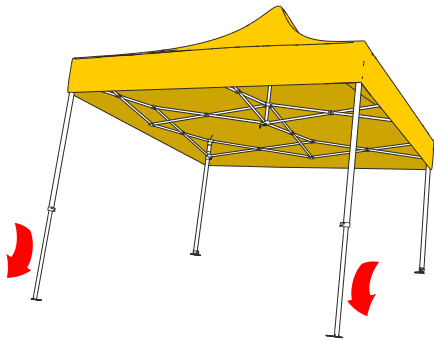
2

Place the canopy over the system and fasten the corners using the velcro strips.



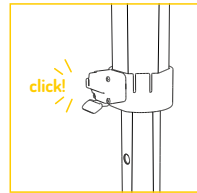
3

Fully expand the system until plastic sliders click into place



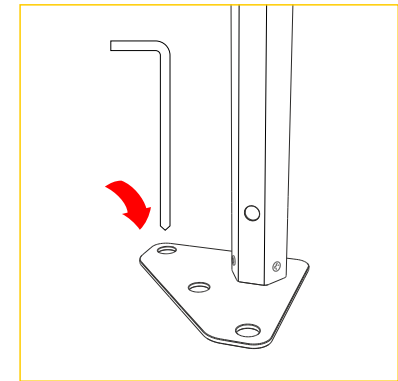
4

Tilt system on one side and extend feet until desired height. Repeat for other side.



5

Apply walls if provided using the velcro strips to fasten them



6

Secure your tent using spikes and/or weights